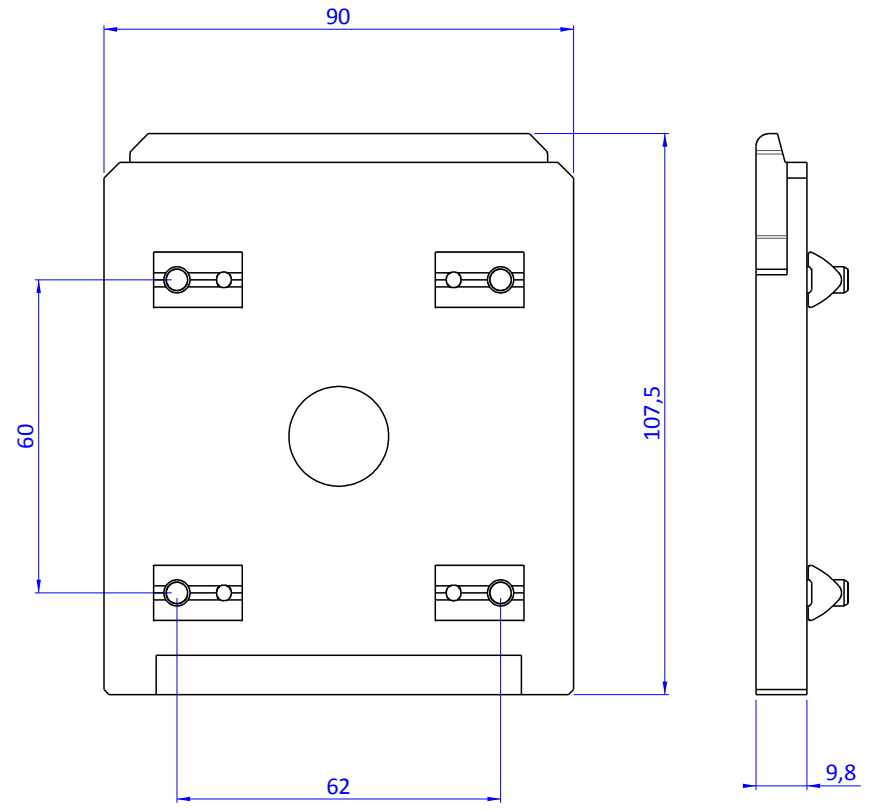
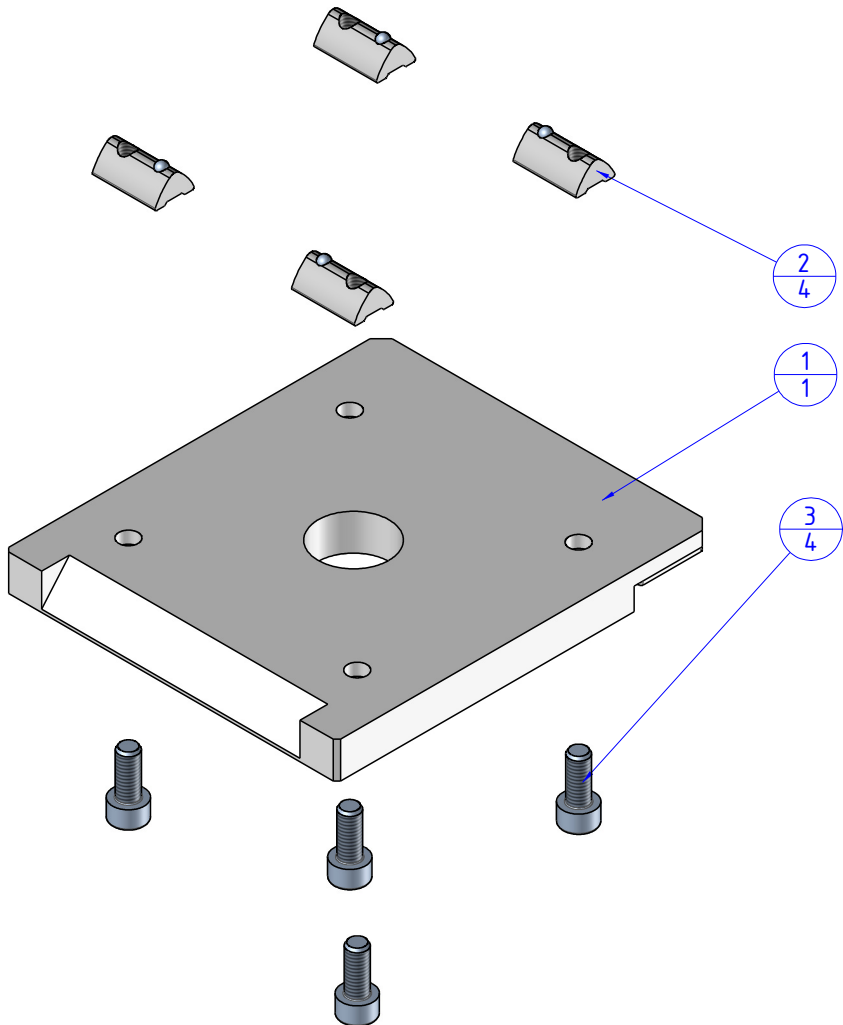


THE PROPERTY OF THE DRAWING IS ESTABLISHED BY LAW. IT IS FORBIDDEN TO PRODUCE OR SHOW IT TO THIRD PARTY, WITHOUT A WRITTEN AGREEMENT.

Item	Name	Q. ty
1	CA.01.02.008	1
2	CA.02.05.005	4
3	V.TCE5x12	4



Format A3
UNI 936-76

FP SERVICES AUTOMATION		DESIGNED FROM FPSERVICES	REVIEW A / 12
GENERAL TOLERANCE UNI - ISO 2768 CLASSE f	DESCRIPTION CA.01.02.008.6	DATE 08/10/2018	WEIGHT 0.261kg
		CODE CA.01.02.008.6	